

GTC-1200



Crane capacity **5-section boom**
130 US ton (120t) 155 ft (47.2m)

Jib options

12.5 ft (3.8m) heavy lift jib
33.5 ft (10.2m) / 59.1 ft (18.0m) bi-fold jib
105 ft (32m) long jib

Maximum lifting height

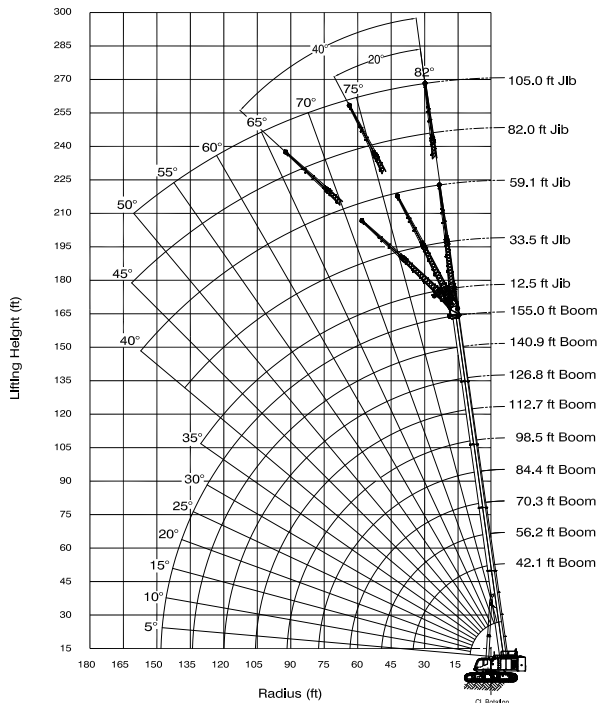
160 ft (48.8m) (boom)
269 ft (82m) (jib)

MODEL: GTC-1200

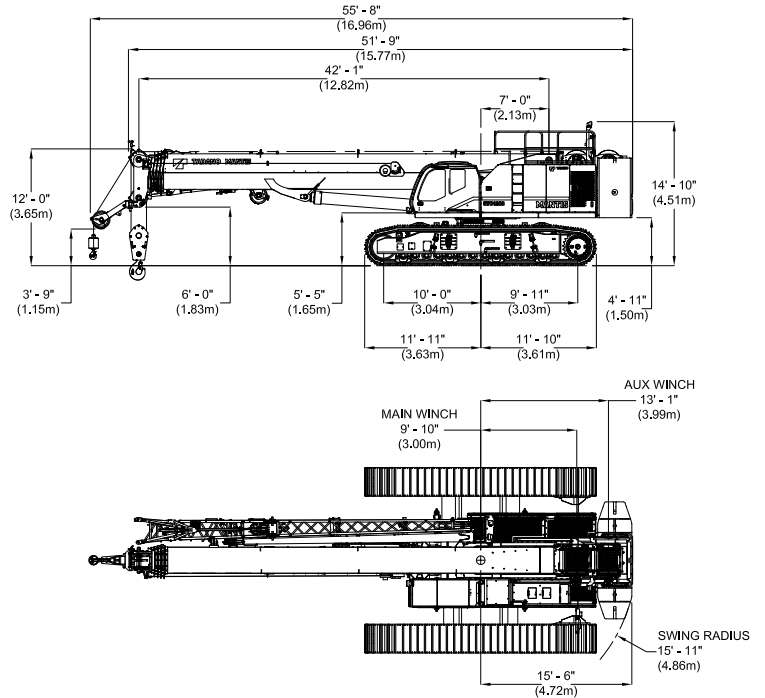
| | |
|---------------------|---|
| CRANE CAPACITY | 130 ton at 10 feet (120t at 3.0m) |
| BOOM | 5-section full power telescoping boom with 2 extension modes. |
| Retracted Length: | 42' 1" (12.8m) |
| Extended Length: | 155' 0" (47.2 m) |
| Extension Time: | 170 s |
| Elevating Angles: | -2° to 82° |
| Elevating Time: | 89 s |
| Heavy lift jib | • Total Length: 12.5ft (3.8m) • Offset Angles: 20° & 40° • Max. Lifting Height: 176 ft (53.6 m) |
| Main Jib | • Total Length: 33.5ft (10.2m) • Offset Angles: 20° & 40° • Max. Lifting Height: 197 ft (60.0 m) |
| Fly Jib | • Total Length: 59.1ft (18.0m) • Offset Angles: 20° & 40° • Max. Lifting Height: 224 ft (68.3 m) |
| Long Jib | • Total Length: 105 ft (32.0m) • Offset Angles: 20° & 40° • Max. Lifting Height: 269 ft (82.0 m) |
| Gross Vehicle Mass | 262,600 lb (118,824 kg) |
| Counterweight | • Upper = 70,000 lb (31750 kg) • Carbody = 20,000 lb (9070 kg) |
| Travel Speed | 0.5 mph (0.8 km/hr)/ 1.6 mph (2.6 km/hr) |
| Gradability | 52% |
| Swing Speed | 1.8 RPM |
| Tail Swing Radius | 15' - 11" (4.86m) |
| House Lock Systems | • 4-position house lock (boom over front, rear or either side). Actuated from the operator's cab. • 360 degree house lock. Actuated from the operator's cab. |
| Swing Park Brake | Spring applied failsafe brake with hydraulic release that is controlled from the operators cab |
| Swing Service Brake | Hydraulically applied, controlled through foot actuated pedal |
| Winches | Planetary geared two-speed winch includes a hydraulic motor, multi-disc internal brake and counterbalance valve. Drum rotation indicator, cable follower and grooved drum is included |
| Main Winch | • Rope Diameter and Length: 7/8" x 750 ft (22mm x 229m) • Single line pull: 23,560 lb (104.8 kN)(first layer) • Single line speed: 317.3 ft/min (96.7 m/min)(5th layer) |
| Auxiliary Winch | • Rope Diameter and Length: 7/8" x 600 ft (22mm x 183m) • Single line pull: 23,560 lb (104.8 kN)(first layer) • Single line speed: 317.3 ft/min (96.7 m/min)(5th layer) |

| | |
|-----------------------|---|
| Load Moment Indicator | • TADANO AML-C Rated Capacity Limiter and Anti-Two Block system • Control function shutdown. Audible and visual warnings • LCD screen provides a continuous display of working boom length, boom angle, working load radius, tip height, swing position, parts-of-line (operator set), machine track configuration, relative load moment, maximum permissible load and actual load. |
| Telematics | Machine data logging and monitoring system with HELLO-NET via Internet. |
| Diesel Engine | • Make/ Model: Cummins QSL9 • Type: 6 Cylinder, Water cooled, 4 Cycle • Aspiration: Turbocharged and Aftercooled • Max. Output: 350 hp (261 kW) @ 2100 RPM • Max Torque: 1,201Lb-ft (1,628 Nm) @ 1500 RPM • Piston Disp: 8.9 L • Emission Cert: U.S. EPA Tier 4f, Euromot Stage IV • Alternator: 70 amp |
| Electrical System | • 24 VDC |
| Fuel Capacity | 125 gallon (473 liter) |
| Hydraulic System | • Hydraulic Pumps: Two high pressure, variable axial piston pumps with load sense and power limiting control for crane functions. One axial piston pump for swing function. • Directional Valves: Multiple pressure and flow compensated valves with integrated relief valves controlled by electrical signals. • Pump output: 222 gpm (840 l/min) @ 2100 RPM engine speed. 5,000 psi (345 bar) maximum pressure • Reservoir 366 gallon (1385 liter) capacity, filler breather cap, sight gauge, cleanout, and sump drain. • Filtration: Three 5 micron, full flow tank mounted return filters with electrical clogging indicator. 2 micron pilot oil in-line pressure filter |
| Optional Equipment | • 36 inch (900mm) steel flat track shoes • Work Platform: Model WP750 – 36 in x 72 in (0.9m x 1.8m) , all steel, welded, two person platform with maximum capacity of 750 lbs (340 kg). • Cold Weather Packages: Cold weather options are available for operation to -40°F / -40°C • Controlled free fall winches • Hydraulic tool Circuit • Radio remote control |

WORKING RANGE



DIMENSIONS



Specifications are subject to change without prior notice.



 Lifting your dreams

TADANO MANTIS Corporation

1705 Columbia Avenue Franklin, Tennessee 37064, U.S.A.

Phone: +1-800-272-3325 Fax: +1-615-790-6803

http://www.mantiscranes.com/ E-mail: sales@mantiscranes.com

TADANO LTD. (International Division)

4-12, Kamezawa 2-chome, Sumida-ku Tokyo 130-0014, Japan

Phone: 81-3-3621-7750 Fax: 81-3-3621-7785

http://www.tadano.com E-mail: info@tadano.com

TMC-DI-734-04 03/15